

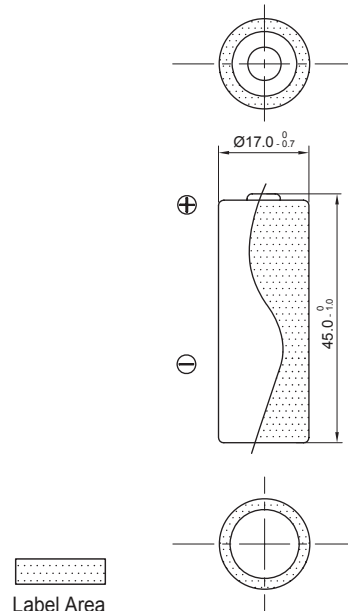
Description	: Lithium Battery, CR17450
Chemical System	: Lithium Manganese Dioxide
Nominal Voltage	: 3.0 Volts
Nominal Capacity	: 2400mAh (Discharge at 5mA to 2.0V at 23°C)
Dimensions	: Ø17 mm x 45 mm
Terminals	: Flat, Recessed Negative Terminal
Jacket	: PVC Resin Label
Shelf Life	: Up to 10 years
Average Weight	: App. 22g
Max. Constant Current	: 1500mA
Max. Pulse Current	: 3500mA
Application	: Smoke Detector, Sensors, Home Security Products, Medical Equipment, Electronic Meters
Operating Temperature	: -40°C to +70°C*

*Please consult GP for use above +60°C

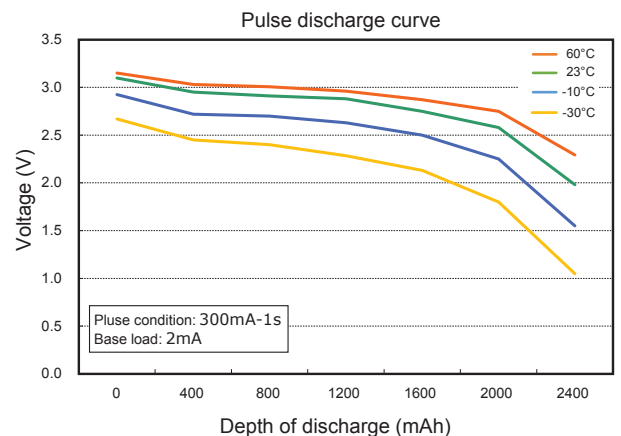
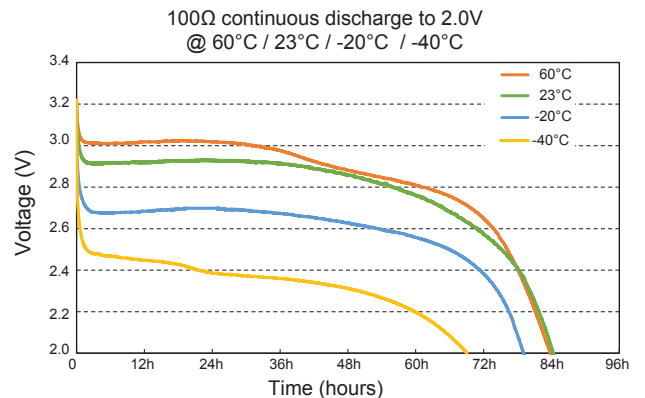
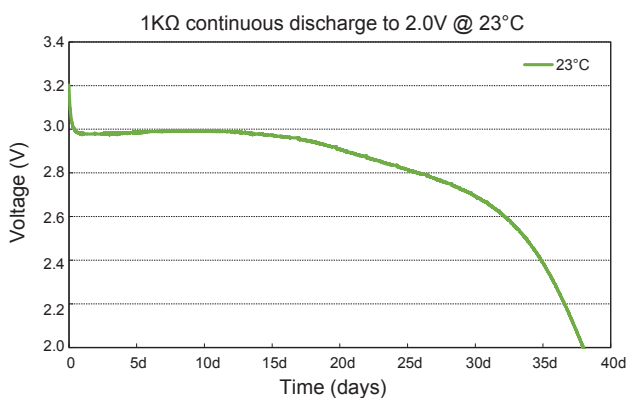
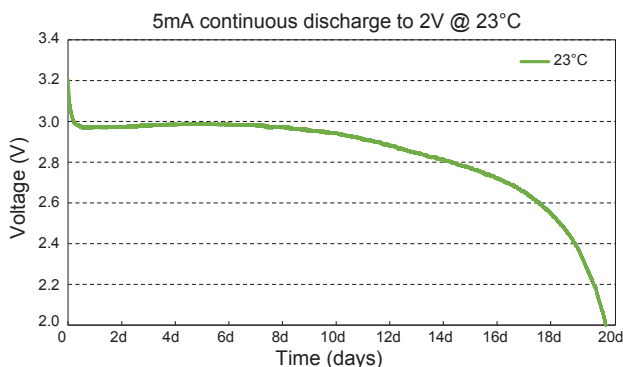
Cross References:

IEC	GP	Panasonic	FDK	Maxell
CR17450	CR17450	CR-AG	CR17450E-N	CR17450

Model No.: GPCR17450



Unit : mm



The information (subject to change without prior notice) contained in this document is for reference only and should not be used as a basis for product guarantee or warranty. For applications other than those described here, please consult your nearest GP Sales and Marketing Office or Distributors.